

# INSTALLATION INSTRUCTIONS

PART#PW02127001

## FCB CROSS BAR

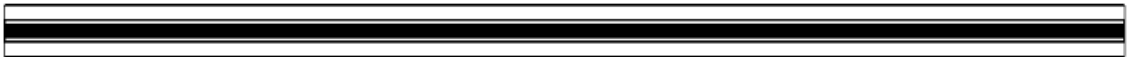
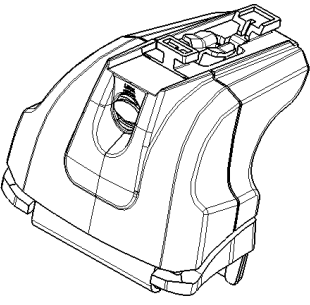
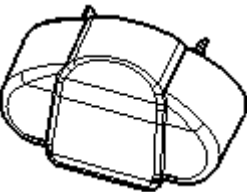
### Before Installation

- Please read the instruction completely before installation
- The figures here are for reference only and may have slight differences with the actual product you as we may upgrade the product occasionally. The fitting methods will not have changed.

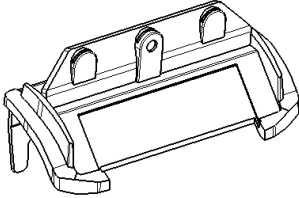
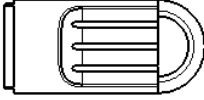


### Care and Cleaning

- Mild soap may be used also to clean the Product.
- Please periodically check and retighten all the hardware

### Parts list

NO.	QTY	NAME
①	2	 Cross Bar
②	4	 Bracket Of FCB Cross Bar
③	4	 Plastic cover

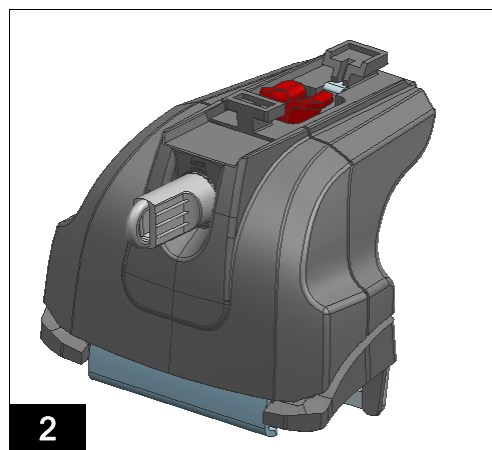
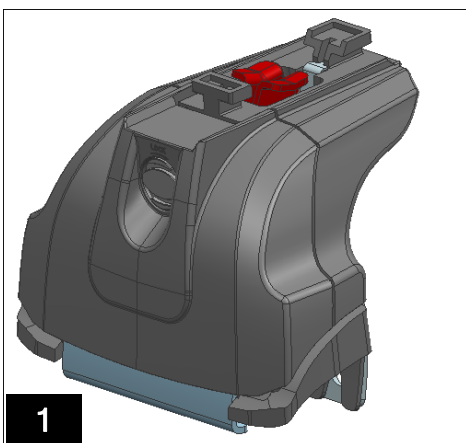
## INSTALLATION INSTRUCTIONS

④	4	 Plastic gasket 2
⑤	2	 Key(Plastic)
⑥	8	 Self tapping screw ST6*16
⑦	1	 Allen wrench S=5

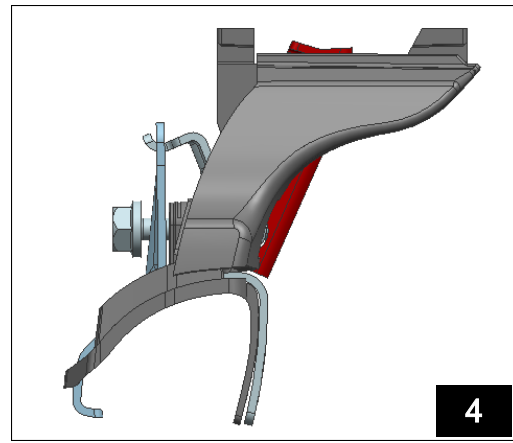
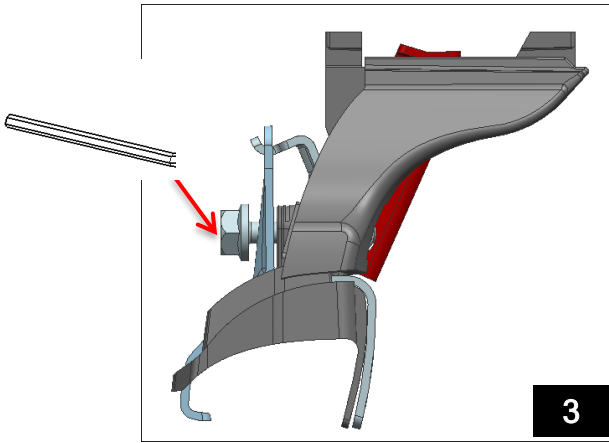
### Installation Steps

**Step 1:** Try to attach cross bar brackets ② and test if the base matches your roof rails, If it doesn't, it is necessary to replace plastic gasket to No.2 ④:

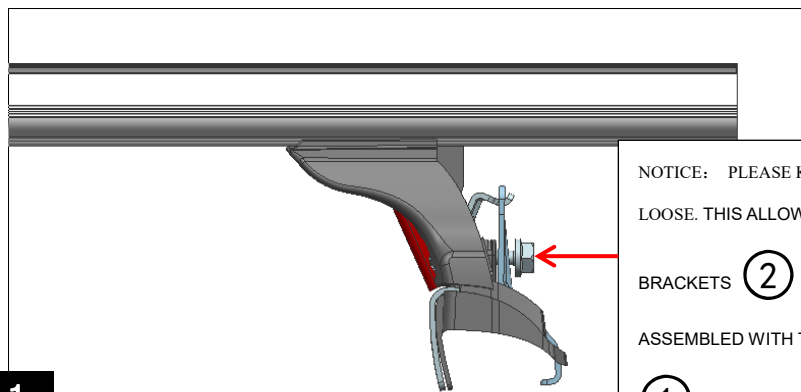
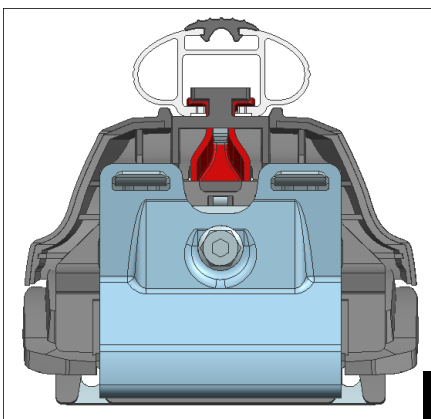
As below, use Key ⑤ to release the cover; use ⑦ allen wrench S=5 to remove the bolt for the replacement of gasket and restore the cover back after that.



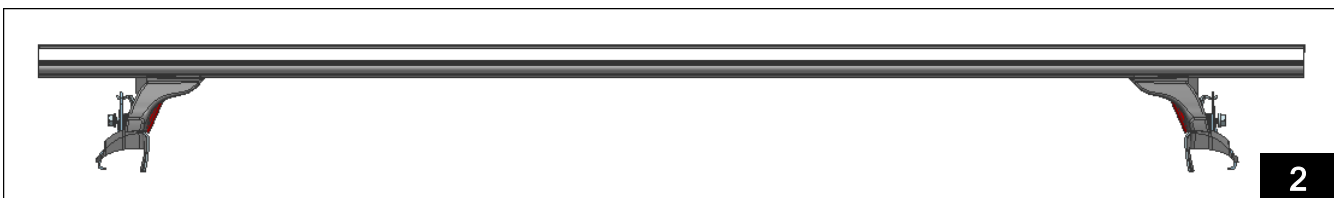
## INSTALLATION INSTRUCTIONS



**Step 2:** As below, assemble brackets (2) together with the cross bar (1);



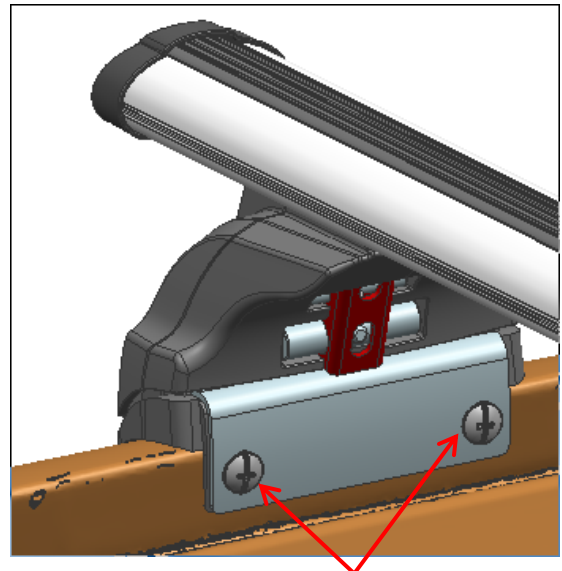
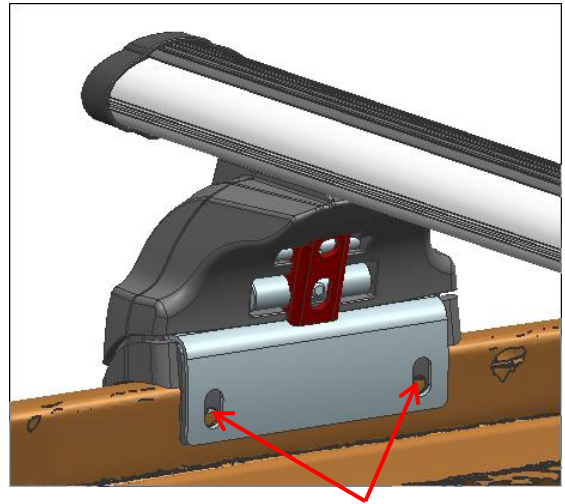
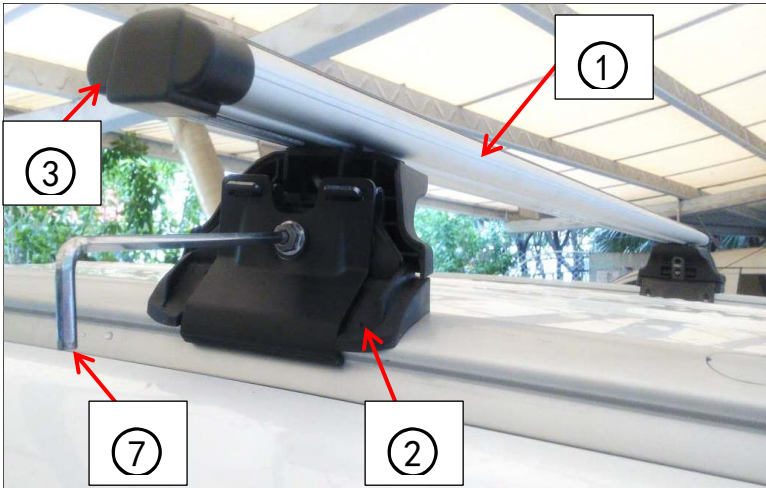
NOTICE: PLEASE KEEP THE BOLTS LOOSE. THIS ALLOWS THE BRACKETS (2) TO BE ASSEMBLED WITH THE CROSS BAR (1) SMOOTHLY.



### Step 3:

- 3-1、 Adjust distance of two cross bar on the roof and place it to perfect position according to its size:
- 3-2、 Using (7) allen wrench S=5 to fasten the bolts on the brackets for the cross bar fixing.
- 3-3、 Optional: if there are holes in your roof rail already, you can use (7) allen wrench S=5 to fasten the brackets to those holes using the existing holes on the bracket. You may use (6) self-tapping screw ST6\*16
- Remember to replace the plastic cover back with the key (5)
- 3-5、 Place plastic cover (3) to both end of the cross bar
- 3-6、 Please keep the key (5) and (7) allen wrench S=5 in your possession
- 3-7、 Installation complete

## INSTALLATION INSTRUCTIONS



⑥ fasten the brackets with self-tapping screws.

### NOTE

Any damages and losses caused by improper installation and application, goes beyond our quality warranty.